

Moose Key Card Access Systems

By MGS Software Solutions LLC

Warranty / Support:

All systems come with a 12-month hardware warranty.

Phone support is always available.

Monthly or Yearly Fees:

There are no monthly or hidden fees.

Updates / Maintenance:

Our systems work independently from each other, meaning you will need one per entrance. They are self-installation kits and tie into your existing electric strike and or magnetic lock setup. They have a dry contact relay with terminals (COM, NO, NC) which you can use for either electric strike or magnetic lock as mentioned above.

They do not need to connect to the internet, no need to connect to the LCL.WEB, no need to run long wires from one end of the building to the other, doesn't require to use your person computer and load any type of software for functionality and best of all it's not an off the shelf product meaning if Moose International decided to change in the future we can accommodate and write our software to work unlike others who don't own the source code!

Overall Manual and Wire Diagram

How to setup your Moose Key Card Access System.

First make sure you have all parts:

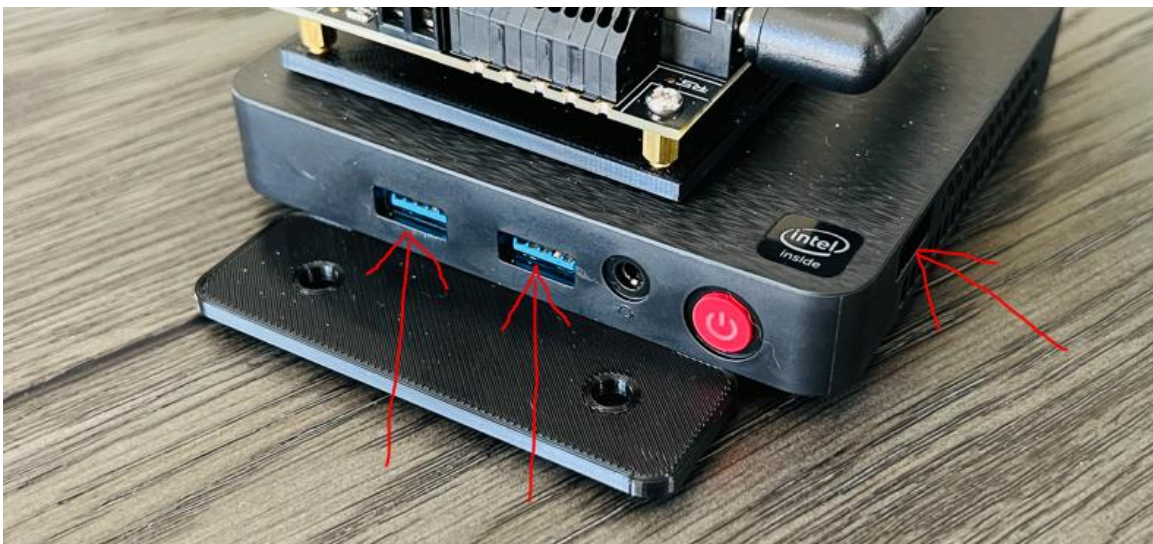
1. Main ECU
2. Power Adaptor
3. USB Card Swipe
4. USB QR Scanner
5. Rain shield mounting plate

- First, take note that the USB Card Swipe and USB QR Scanner only has a 6ft connection cable. Based on this, determine where you will mount the Main System by using the two mounting holes.

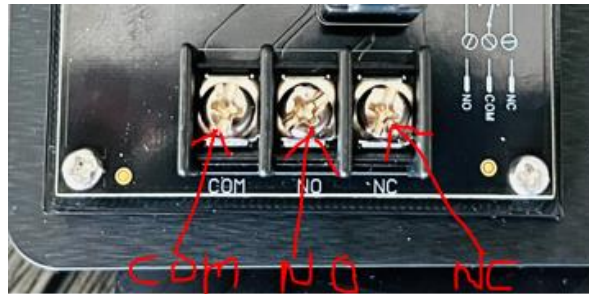


(You may have to drill a hole through the wall and fish the USB Card Swipe and USB QR Scanner connection cable through so you can mount them on the exterior of the door.)

- After you have mounted the USB Card Swipe and USB QR Scanner, connect them both to the Main System's USB ports. There are normally more than two ports available, any port will work.



- Next you will need to wire the Main System into your existing electric door strike or magnetic lock setup, the Main System has a dry contact (12V/24V) 3 terminal relay (COM, NO, NC). Based on your setup you will use either (COM, NO) or (COM, NC). The Main System may or may not have two different styles or relays.



- After connecting the Main ECU into your locking setup, you can now plug in the Power Supply.

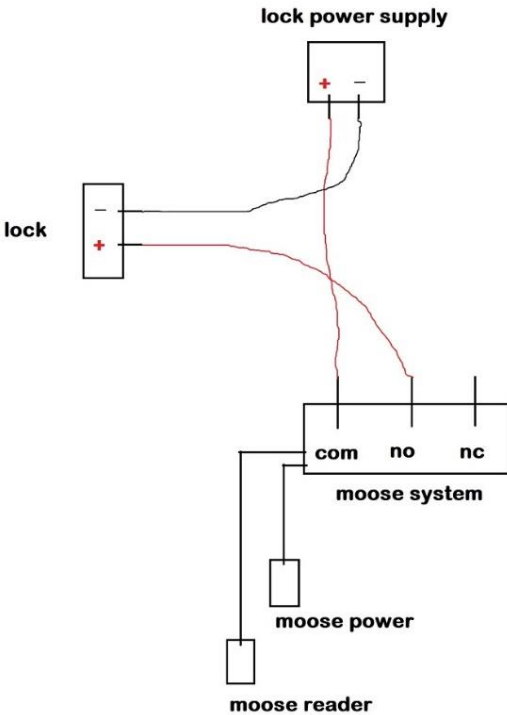


- The system is setup to automatically turn on once power is connected. You will see the power button light up once system is on, after about 1 minute the system will be fully booted up and ready to go.

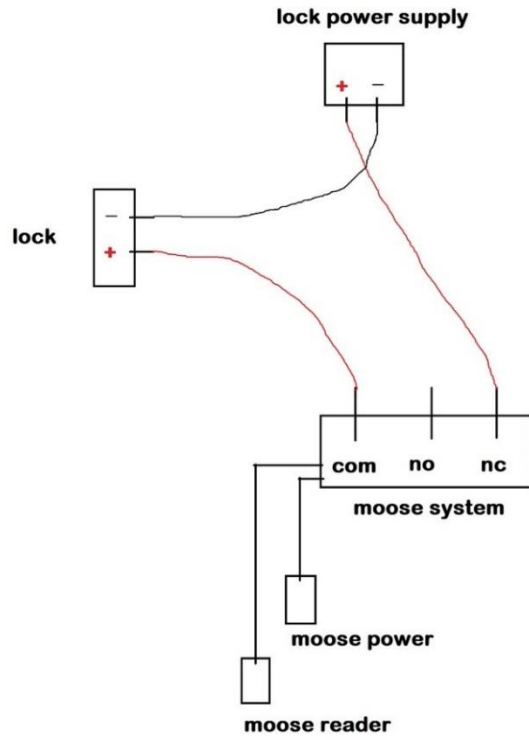


Examples of how to wire a system.

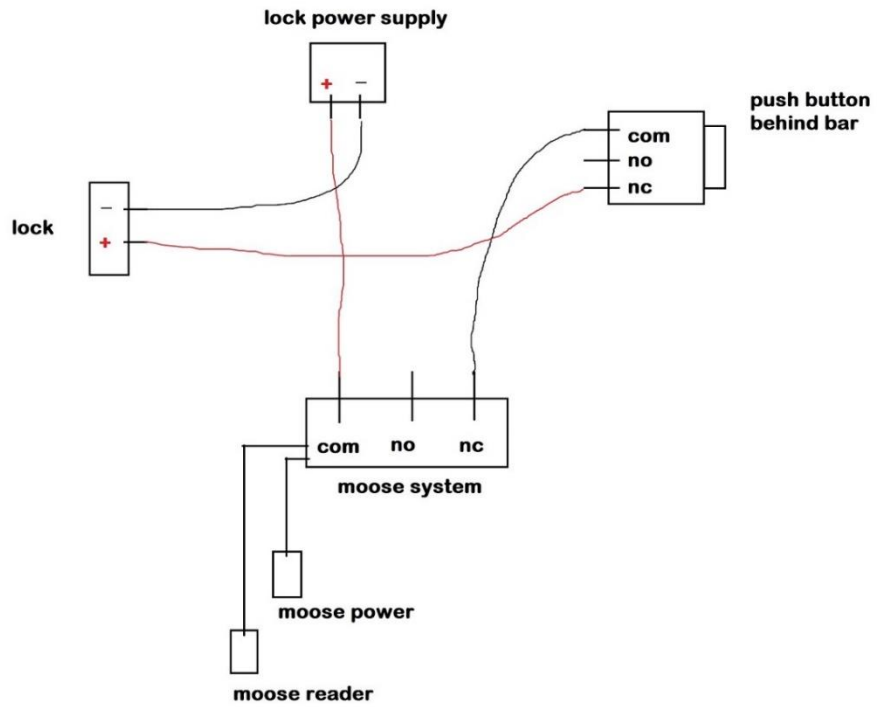
Moose system with electric strike lock



Moose system with magnetic lock



Moose system with magnetic lock and push button



Moose system with electric strike lock and push button

